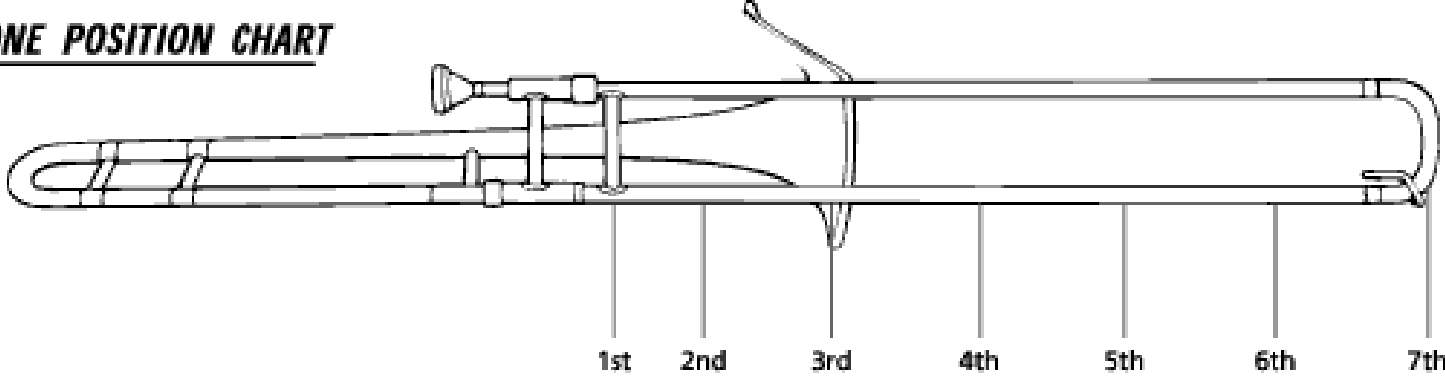


TROMBONE POSITION CHART



SLIDE POSITIONS

Numbers under notes indicate slide positions.

Row 1: E, F, F \sharp , G \flat , G, G \sharp , A \flat

Notes: E (slide 7), F (slide 6), F \sharp (slide 5), G \flat (slide 5), G (slide 4), G \sharp (slide 3), A \flat (slide 3)

Row 2: A, A \sharp , B \flat , B, C, C \sharp , D \flat

Notes: A (slide 2), A \sharp (slide 1), B \flat (slide 1), B (slide 7), C (slide 6), C \sharp (slide 5), D \flat (slide 5)

Row 3: D, D \sharp , E \flat , E, F, F \sharp , G \flat

Notes: D (slide 4), D \sharp (slide 3), E \flat (slide 3), E (slide 2), F (slide 1 or 6), F \sharp (slide 5), G \flat (slide 5)

Row 4: G, G \sharp , A \flat , A, A \sharp , B \flat , B

Notes: G (slide 4), G \sharp (slide 3), A \flat (slide 3), A (slide 2), A \sharp (slide 1 or 5), B \flat (slide 1 or 5), B (slide 4)

Row 5: C, C \sharp , D \flat , D, D \sharp , E \flat , E, F

Notes: C (slide 3), C \sharp (slide 2), D \flat (slide 2), D (slide 1 or 4), D \sharp (slide 3), E \flat (slide 3), E (slide 2), F (slide 1)

Row 6: F \sharp , G \flat , G, G \sharp , A \flat , A, B \flat

Notes: F \sharp (slide 3), G \flat (slide 2), G (slide 2), G \sharp (slide 3), A \flat (slide 3), A (slide 2), B \flat (slide 1)